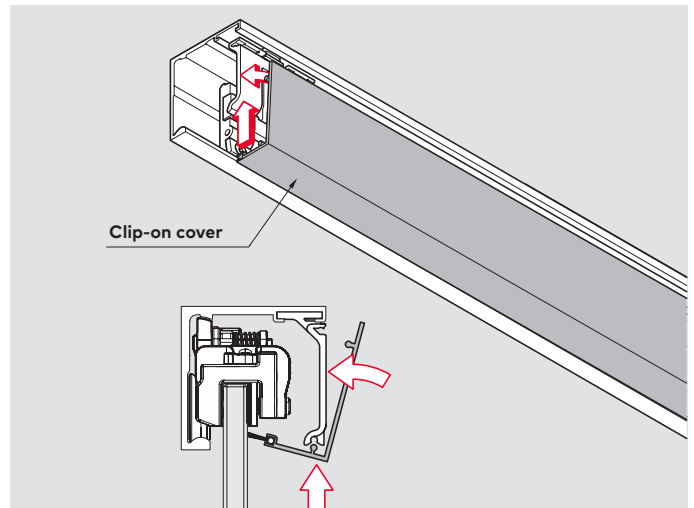
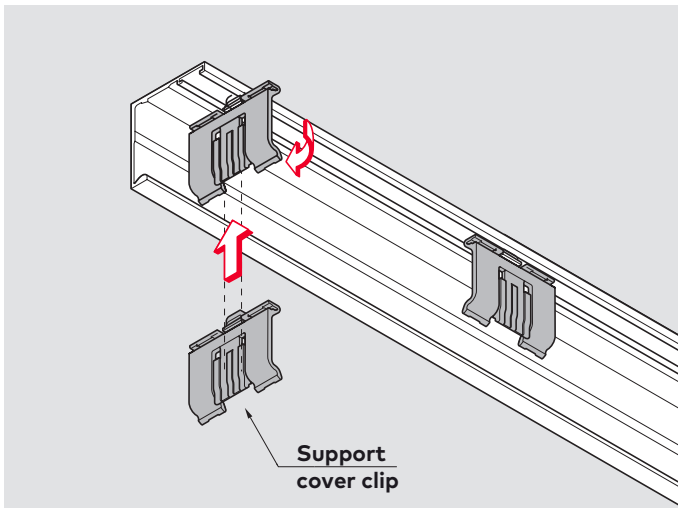
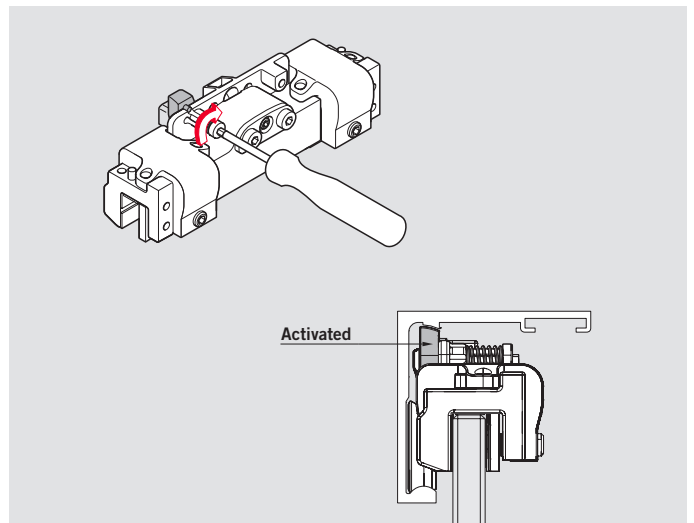
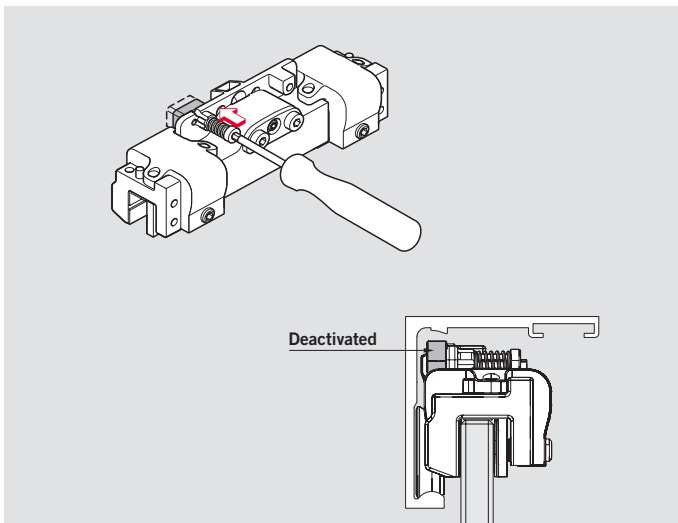


Installation made easy

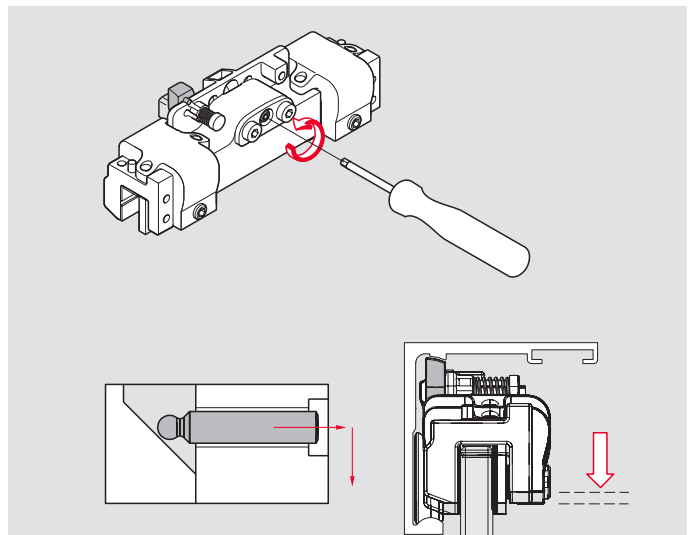
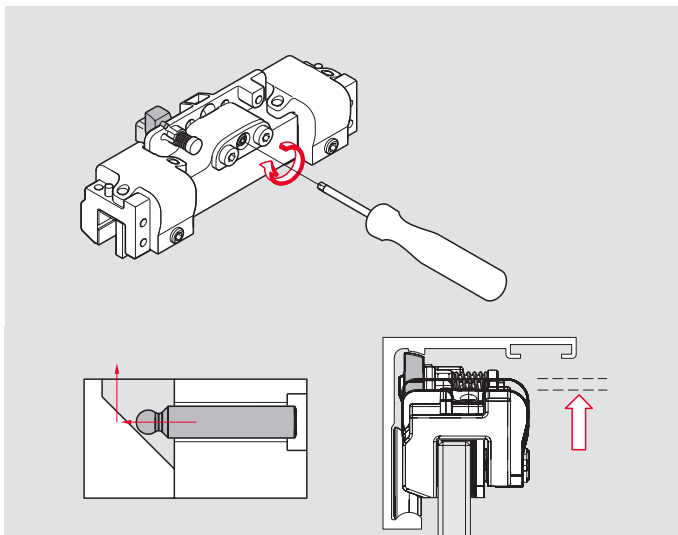
Cover profile



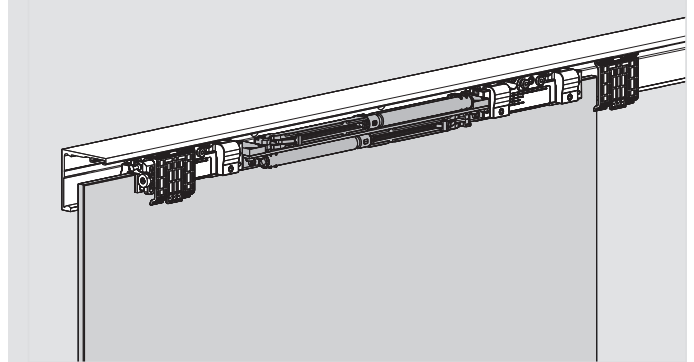
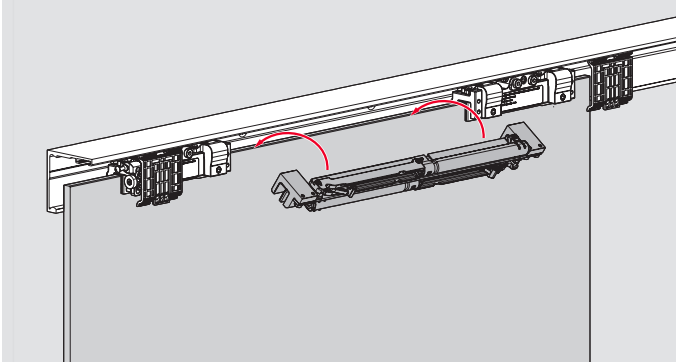
Anti-jump device



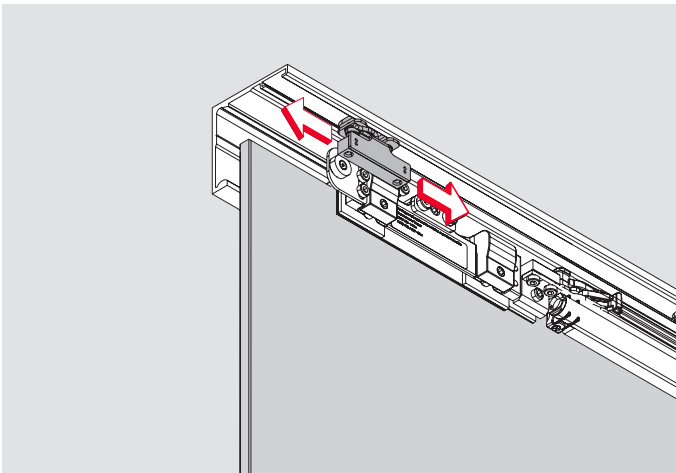
Height adjustment



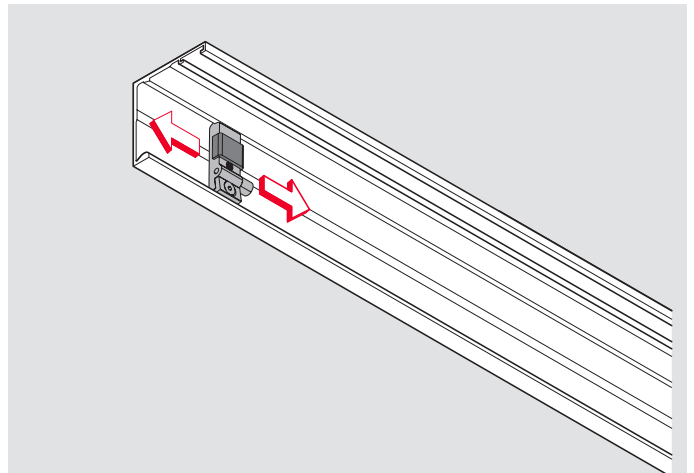
Retrofit DORMOTION in the field
 (minimum door panel widths must be considered)



Optional status indicator
 retrofitted in field



Adjustable endstop



TLG compatibility

dormakaba's Clamp & Glue technology allows installation to tempered laminated glass. This technology allows secure holding power with minimal clamping force, and does not require special glass preparation.

